

CONSUMER WARRANTY & SERVICE INFORMATION

Distributors in the United States and Canada provide a Standard Limited Warranty for 6 months from the date of purchase for new products. If you're not located in the United States or Canada, please contact your Local Distributor for warranty arrangements in your territory. Please visit www.seascooter.net for Distributor / Service Center details. Distributors ONLY warrant Yamaha Seascooter products purchased from an authorized dealer and with an original purchase receipt. All warranties are limited to a single original owner on the purchase of new and current product from an authorized reseller. Closeouts, Discontinued and Secondary sales of any kind including "like new" or out of box are not eligible for warranty consideration.

This warranty gives the consumer specific legal rights, and those rights may vary from place to place. Ask your Local Distributor for the warranty period in your region by calling their Service Center. Any part of the product supplied by the Distributor and found in the reasonable judgment of the Distributor to be defective in material or workmanship will be repaired or replaced then returned by the Distributor without charging for parts and repair costs. The product including any defective part must be sent to the Distributor within the warranty period. The customer will pay for the expense of delivering the product to the Distributor.

This warranty does not cover any product that has been subject to misuse negligence or accident, or that has been operated in any way contrary to the operating instructions as specified in the User Manual. Any flood, loss or damage, for any reason, that is caused by accidental release and sinking of the unit, or from flooding an o-ring sealed or water tight area will not be covered under warranty. This warranty does not apply to theft, loss, abuse or tampering, lack of maintenance, improper storage, exposure to excessive temperature, extended sunlight, material interactions, deteriorating chemicals or fumes, any damage to the product that is the result of improper maintenance or parts replacement performed by someone other than the official Distributor Service Center or to any product that has been altered or modified so as to change its intended use. This warranty does not extend to repairs made necessary by normal wear or by the use of parts or accessories which are either incompatible with the product or adversely affects its operation, performance or durability.



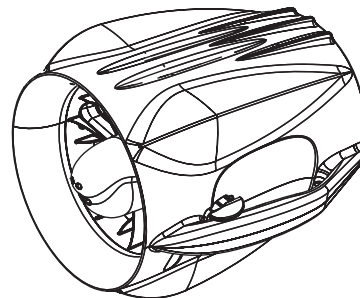
SEE NEXT PAGE



YAMAHA®

LICENSED PRODUCT

POOLJET



User Manual

English Version

CAUTION

ELECTRICALLY OPERATED PRODUCT

Not recommended for children under 8 years of age. As with all electrical products, precautions should be observed during handling to reduce the risk of electric shock.

Contents

Introduction	1
Warnings	2
Parts diagram	5
Charging the battery	6
Getting started	7
Battery use	9
Care & maintenance	11
Technical specifications	12



Discarded electrical appliances are recyclable and should not be discarded in the domestic waste! Please actively support us in conserving resources and protecting the environment by returning this appliance to the collection centers (if available).



Introduction

The NEW Yamaha POOLJET is designed for family water fun; giving kids a totally new experience - power performance for fun and excitement in the pool.

The Seascooter™ POOLJET adds a new dimension of fun and excitement to swimming and snorkeling.

Only use The SEASCOOTER™ POOLJET in a pool or in calm water and close to shore – DO NOT use in the open sea.

Use appropriate equipment such as wetsuit, approved life jacket, mask & snorkel etc. when using seascooter.

Only operate the Seascooter in water.

- Speed up to 1.2 mph / 2.0 km/h
- Run up to 30 minutes with normal use
- Fully waterproof construction
- Weight just 3.52 lbs (1.6 kg)

POOLJET is compact, lightweight and highly manoeuvrable offering a whole new experience in the water.

Please study this manual to get the most out of your Seascooter™ POOLJET.

- ❗ The Seascooter is designed for use in seawater. It will have less buoyancy in fresh water, lake or pool and may sink in such waters.

1

⚠ Warning



- This is not a life saving device. DO NOT use it as a buoyancy aid.



- Be careful when you are transporting the Seascooter and setting it down to avoid crushing hazard on hands, foot or toes.



- Crushing / Cutting Hazard



- Read the user's manual carefully before use.



- Not to be used by children under the age of five (5) and must ONLY be used by children under adult supervision.
- The seascooter is designed for 1 person use.



- ALWAYS wear a life vest (personal floatation device - PFD) approved by your local authorities: (U.S. Coast Guard Type III vest in the US or Canadian Coast Guard approved life vest in Canada or SAI Approval PFD in Australia or CE / ISO Approved PFD in Europe).

2



- Always inspect the swimming area to ensure it is free of hazards or obstacles such as boats and swimmers before using the SEASCOOTER™.



- Particular care should be exercised when using the SEASCOOTER™ near anybody with long hair. Users with long hair should tie it up or wear a swimming cap when using the SEASCOOTER™.



- Never stick body parts, clothing or other objects in the vicinity of the Propeller. Do not wear loose or flowing clothing or equipment that could be drawn into the propeller.



- Only to be used in water in which the child is within its depth and under supervision.



- Be aware of appropriate water levels, tidal changes, dangerous currents, weather change and strong offshore winds. ALWAYS scout unfamiliar water before venturing out.



- ALWAYS ensure sufficient charges remains in the battery to return to the poolside, shore or surface before using the Seascooter™.



- Do not use alcohol or drugs prior to and during use of this product.



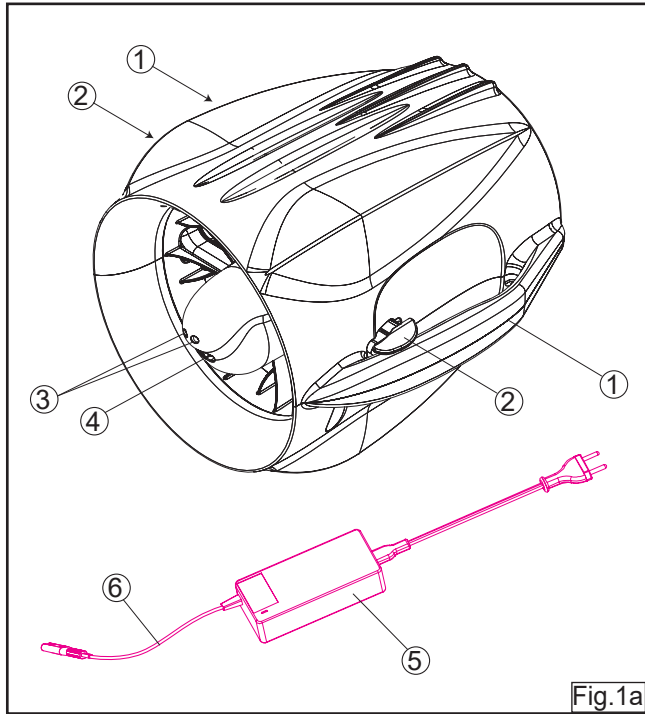
- Do not attach your body, clothing, other equipment to the seascooter in any way.

- **An adult must be responsible for battery safety at all times, during use, storage and charging.**
- **THIS IS NOT A TOY! Use in a pool or in calm water and close to shore – DO NOT use in the open sea.**
- ALWAYS keep the SEASCOOTER™ out of direct sunlight when not in use. HEAT KILLS BATTERIES AND IT MAY EXPLODE OR LEAK.

CAUTION:

- In different waters (seawater, lake, pool) and conditions such as currents, temperature and pressure can affect the buoyancy of the unit which may cause the unit to sink if accidentally released.
- DO NOT release or leave the Seascooter in the water. Always take the unit out of water when not in use.

Parts Diagram



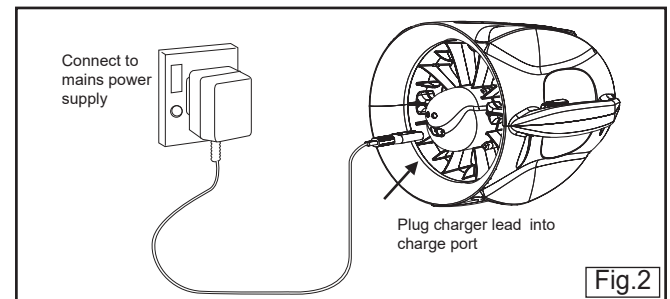
- | | |
|--------------------|-----------------|
| 1. Handles | 4. Charge Port |
| 2. On/Off Triggers | 5. Charger |
| 3. LED Indicators | 6. Charger Jack |

5

Charging the battery

Follow the safety cautions on page 9 to 10.

1. Plug the charger lead into Pooljet charger port. (See Fig.2)
2. Connect to mains power supply. (See Fig.2)
3. The LED indicators will light up RED while charging and GREEN when the unit is charged.
4. Charge times are as follows: 90 minutes for 100% charge – always charge the battery fully for maximum duration.
5. The charger will get warm during charging – this is normal.
6. Disconnect the charger from the mains power supply, disconnect the charge lead from the charge port.
7. Please note the unit can Take care whilst charging. Always charge under adult supervision.
8. When not in use unplug the charger and store the charger in a dry secure place.



6

Getting Started

⚠ CRUSHING HAZARD:

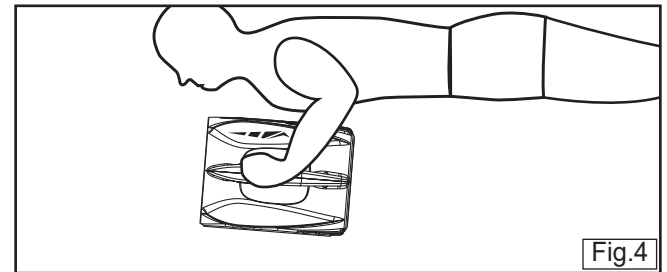
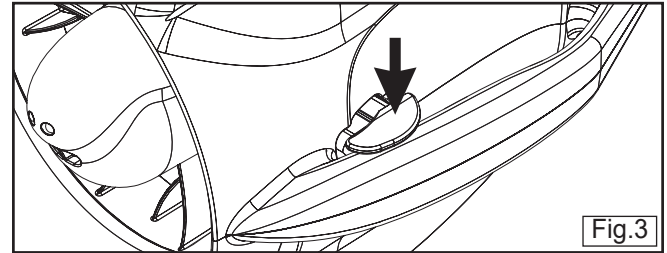
The following action during assembly, disassembly, and transportation of the seascooter may incur crushing hazards to your fingers or toes:

- Closing the nose cone latches
- Putting on the nose cone housing
- Placing the battery into the seascooter
- Accidental dropping of the seascooter or battery.

USING THE SEASCOOTER™ POOLJET

1. **Always charge** the battery before use.
(Note: the battery may be supplied partially charged.)
2. Make sure your child is wearing an approved flotation device when using the POOLJET.
3. Place the POOLJET into the water. The POOLJET should float.
4. **When ready to set off, press both the triggers down to start the Pooljet (See Fig.3) - the LED indicator shows GREEN.**
5. **Hold the unit in front of you and submerge it under water.**
6. **To stop the propeller, simply release one or both triggers to stop the Pooljet.**
8. **Proper posture when using the SEASCOOTER™ is important to achieve the maximum speed - see figure 4 for the correct position of the SEASCOOTER™ when using it.**
9. **DO NOT leave the Seascooter in the water. Always take the unit out of water when not in use.**

Important Notice: This machine is not used to mix or to work with sand, concrete and material with similar physical characteristics. This machine is only to use for swimming and diving in water.



Battery Use

CAUTION

- Use the specified charger only.
- Use the correct plug type for your region.
- Never allow the charger to get wet. For Indoor use only.
- Charge only in temperatures between 0-40°C.
- When not in use unplug the charger and store the charger in a dry secure place.
- Must be disposed of properly.
- Always store the POOLJET in well ventilated areas where it is out of the reach of children and away from heat and ignition sources.
- Do not incinerate, disassemble, damage, short-circuit or expose to heat.
- The battery contains safety and protection devices which, if damaged, may cause the battery to generate heat, rupture or ignite.
- Do not place the POOLJET in fire, direct sunlight or apply heat to the battery; it may explode or leak.
- Do not leave the POOLJET in direct sunlight or use or store the battery inside high temperature containers. Doing so may cause the battery to generate heat, rupture, or ignite. Using the POOLJET in this manner may also result in a loss of performance and a shortened life expectancy.
- Do not place the POOLJET on or near fires, stoves, or other high temperature locations.
- DO NOT THROW WATER ON A BURNING POOLJET or Li-ion Battery. If an exposed Battery does ignite, it will burn even more violently if it comes into contact with water or even the moisture in air. A fire extinguisher must be used.

Battery Use

CAUTION

- Do not expose the battery to water or salt water, or allow the battery to get wet.
- Do not subject the POOLJET to strong impacts or shocks.
- Do not pierce the POOLJET or Li-ion Battery with nails, strike the battery with a hammer, step on the battery, or otherwise damage the outer casing.
- MUST re-charge the battery after EACH USE.
- MUST re-charge the battery at least EVERY SIX MONTHS when not in use.
- Never leave Lithium-Ion batteries discharged for long - the batteries do self-discharge and the charge could drop low enough to damage the battery.
- Keep POOLJET or Lithium-Ion batteries away from high heat - high temperatures may cause premature battery failure.
- ALWAYS store POOLJET discharged in a cool, dry place.

Care & Maintenance

- DO NOT leave the Seascooter in the water. Always take the unit out of water when not in use.
- Always rinse the Seascooter with fresh water and allow it to dry before storage.
- Whenever possible rinse the Seascooter with fresh water immediately after use.
- To clean the Seascooter do not use detergents; only use a damp cloth to wipe the unit clean.

Washing and Care

1. After use drain the Pooljet of waster.
2. Rinse the Pooljet with clean fresh water after use.
3. Ensure the charge port is free from dirt and debris. Clean with mild soapy water if necessary and dry fully.
4. Charge the batteries at least once every three months when not in use.
5. Do not attempt to repair the Pooljet Do not open the unit. Return to authorised dealer for repair under warranty.
6. Do not dispose of the unit into household waste, fire or water. Li-Ion batteries are contained in the unit and should be recycled once their lifespan is complete.
7. The Pooljet toy is to be regularly examined for damage to the cord, plug, enclosure and other parts, and in the event of such damage, the toy must not to be used with the transformer or battery charger until that damage had been repaired.
8. The Pooljet is to be operated in water only when fully assembled in accordance with the instructions.

Technical Specifications

-SCOUT-

Unit Dimensions	10.63 inches x 10.31 inches x 7.65 inches (270 x 262 x 202 mm)
Unit Weight	3.52 lb (1.6 kg)
Battery Type	1 x 7.2V / 2 Ah rechargeable battery
Battery Life / Fully Charge	*Run up to 30 minutes with normal use ^Continuous use up to 20 minutes
Depth rating	XX m / XX ft
Speed	Up to 1.2 mph (2 km/h)

*Normal Use

The definition of normal use is based on the average general time of use the user activates the seascooter in the water.

^Continuous Use

The definition of continuous use is based on a fully charged battery whereby the seascooter is used continuously in the water without stopping.

FCC Statement

(For USA Regulation Only)

This device complies with Part 15 of the FCC Rules. Operation is subject to the following two conditions :

- (1) This device may not cause harmful interference, and
- (2) This device must accept any interference received, including interference that may cause undesired operation.

Warning : Changes or modifications to this unit not expressly approved by the party responsible for compliance could void the user's authority to operate the equipment.

NOTE : This equipment has been tested and found to comply with the limits for a Class B digital device, pursuant to Part 15 of the FCC Rules. These limits are designed to provide reasonable protection against harmful interference in a residential installation. This equipment generates, uses and can radiate radio frequency energy, if not installed and used in accordance with the instructions, may cause harmful interference to radio communications.

However, there is no guarantee that interference will not occur in a particular installation. If this equipment does cause harmful interference to radio or television reception, which can be determined by turning the equipment off and on, the user is encouraged to try to correct the interference by one or more of the following measures:

- Reorient or relocate the receiving antenna.
- Increase the separation between the equipment and receiver.
- Connect the equipment into an outlet on a circuit different from that to which the receiver is connected.
- Consult the dealer or an experienced radio/TV technician for help.

For more information on
Seascooter™ Products
(Warranty, Customer Care / Maintenance,
Parts & Battery Purchase)

PLEASE VISIT
www.yamahaseascooters.com

All corresponding specification appear in this manual are correct at the time of printing. For the latest updates and further information on the complete range of the Seascooter™, PLEASE VISIT www.yamahaseascooters.com

Yamaha, the Crossed Tuning Fork Design, and any likeness thereof are trademarks of Yamaha Motor Corp. U.S.A. and Yamaha Motor Co., Ltd. ("Yamaha") used under license by Sport Dimension Inc. www.yamaha-motor.com.

This Product is not manufactured by Yamaha. For consumer purposes, please contact Sport Dimension Inc. at 1-800-678-7873.

(US & CANADA MARKET ONLY)

Please visit our website at www.yamahaseascooters.com to find out your local distributor.

Products covered by the following patents:

USA, Canada, EU, Australia, Japan, Hong Kong, China & Turkey
US D471,506S / US D518,768S / D527,702S / US D506,176S / US D507,776S
D512,678S / D519,911S / 6848385 B2 / US 7000559 B2 / US 7093554 B1 / 11/102,302
0500577.8 / 0500578.0 / 0500579.2 / HK1072691 / ZL200530005661.5
ZL200430079550.4 / ZL200430057359.X / ZL200530005662.X / ZL200530005663.4
ZL2004320103738.8 / ZL200520008894.5 / 1194933 / 1254107 / 1225250
000330311-0001 / 000183900-0001 / 000183900-0002 / 000330279-0001
000330295-0001 / 03020902.7 / 302949 / 302564 / 302563 / 302950
302948 / 2005100230 / 200503474 / 29/268,724 / 11/595,675 / 000816376-0001

US & CANADA MARKET ONLY

Toll Free (US) : 1-800-678-7873

service@yamahaseascooters.com

www.yamahaseascooters.com

In addition, this warranty does not cover items that experience normal wear and tear.

ALL IMPLIED WARRANTIES ARE LIMITED IN THE DURATION TO THE WARRANTY PERIOD. AND SUCH IMPLIED WARRANTIES INCLUDING MERCHANTABILITY, FITNESS FOR A PARTICULAR PURPOSE, OR OTHERWISE, ARE DISCLAIMED IN THEIR ENTIRETY AFTER THE EXPIRATION OF THE APPROPRIATE WARRANTY PERIOD. THE DISTRIBUTOR'S OBLIGATION UNDER THE WARRANTY IS STRICTLY AND EXCLUSIVELY LIMITED TO THE REPAIR OR REPLACEMENT OF DEFECTIVE PARTS AND RETURN OF THE PRODUCT TO THE CUSTOMER. THE DISTRIBUTOR DOES NOT ASSUME OR AUTHORIZE ANYONE TO ASSUME FOR THEM ANY OTHER OBLIGATION.

THE DISTRIBUTOR ASSUMES NO RESPONSIBILITY FOR INCIDENTAL, CONSEQUENTIAL OR OTHER DAMAGES INCLUDING, BUT NOT LIMITED TO EXPENSE OF RETURNING THE PRODUCT TO THE DISTRIBUTOR, LOSS OF USE OF PRODUCT AND LOSS OF TIME OR INCONVENIENCE.

THIS PRODUCT IS DESIGNED AND INTENDED FOR PERSONAL RECREATIONAL USE ONLY!

THIS PRODUCT IS NOT WARRANTED FOR COMMERCIAL OR RENTAL USE!

REPAIR WORK OR DELIVERY OF A REPLACEMENT DOES NOT EXTEND OR RENEW THE WARRANTY PERIOD.

WARRANTY SHALL AUTOMATICALLY BE VOID IF DAMAGE IS RESULT OF NON-ORIGINAL PARTS.

LIMITED WARRANTY for seascoters with camera mount:

- ALWAYS inspect to ensure the product works properly every time before use. Warranty of this product does not cover any damages due to misuse.
- Failure to follow the user(s) instructions on packaging and/or user(s) manual may result in damages or loss of your cameras including but not limited to any user's personal items, all of which are not covered under warranty of this product.
- Use at your own risk. Manufacturer(s) and/or suppliers/agents are not responsible for any damages/repairs, loss to cameras/electronic items including but not limited to any user's personal items directly and/or indirectly resulted in the use of this product. Damage(s) resulting from any use, misuse, accident, and normal wear and tear are understandably not covered under this product warranty nor be responsible by manufacturer(s) and/or suppliers/agents.

EXCLUSIONS

BATTERY. This warranty does not include the battery.

Never replace the original SEASCOOTER BATTERY with an AFTERMARKET BATTERY. Seascooter with aftermarket battery will not be covered by this warranty.

CUSTOMER ENQUIRIES

If your unit is not operating, please refer to your User Manual before contacting our Customer Service Center. For any damage or repair work required, please do not return your product to the store where it was purchased.

RETURN / REPAIR POLICY

Customers must contact their Local Distributor Service Center to ask for an official Claim Form. The Claim Form must be returned with the customer's contact details and a photo of the Seascooter, defective parts, the serial number and the Original Purchase Receipt. The Distributor Customer Service Center will review the case and issue a Return / Repair Authorization Number before sending the product to the Distributor Service Center. Returned products must be shipped with original packaging including the polystyrene packing material and all defective parts. Please contact your Local Distributor Service Center for assistance in handling your case.

Please visit our website www.yamahaseascooters.com for a listing of most update distributor contacts and service center contacts.

RETURN / REPAIR PROCEDURE

1. Call the Customer Service Center for your Return / Repair Authorization Number.
2. Make a copy of your Proof of Purchase (receipt).
3. Pack the defective unit in its original packaging including the polystyrene foam and include the unit and all defective parts.
4. Attach the copy of your Proof of Purchase (receipt) to the outside of the box (clearly visible), together with the Return / Repair Authorization Number.
5. Ship the package to the Service Center on your cost.

PLEASE NOTE: Deliveries that do not have the Proof of Purchase (receipt) and Return / Repair Authorization Number attached clearly to the outside of the box, will not be accepted by the Service Center.

For any questions or queries you may have regarding your SEASCOOTER™, please follow the below steps for easy and fast resolution:

- STEP 1-

Please read your User Manual. For a copy of the User Manuals, please visit www.yamahaseascooters.com

- STEP 2-

Go to www.yamahaseascooters.com and see our FAQ section to find instant answers.

- STEP 3-

Contact one of our Customer Service representatives at the Customer Service Center in your region.